



NEW
High Resolution
960H
700TVL



XDD-III-VDV-IR-W / XDD-III-VDV-IR-B



ULTRA HI RESOLUTION 700 TVL CAMERA

Features:

- ❖ XDD III Dome cameras are the Latest in technological advancement, True Day / Night Capability under candle light conditions
- ❖ Digital Noise Reduction (DNR) eliminates video noise signals and offers a clear distortion free image that eliminates unwanted recording on DVR and Saves up to 40% of HDD space
- ❖ Versatile wall / pendant mounts (sold separately)
- ❖ IP66 Rated
- ❖ 2.8 mm ~ 12 mm varifocal (wide angle/telephoto) lens with IR cut filter for crisp clear images in any light condition
- ❖ Flexible OSD camera function offers adjustable menu functions to suite interior / exterior applications
- ❖ 90° Lens Placement allows for increased camera view, especially in tight corners or when viewing across/along walls
- ❖ Available in white or black
- ❖ **SENSEFIER III** low light enhancement up to 256X

Optional Brackets:

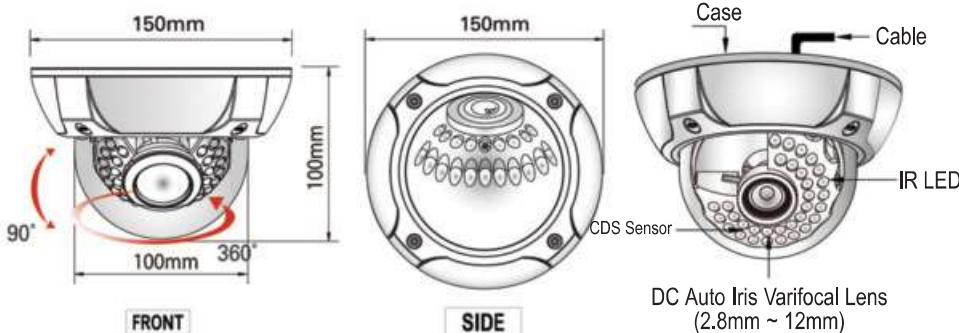
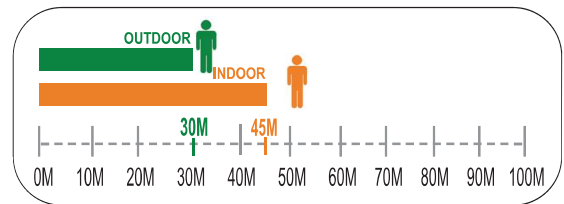


BRACK-XDD-WALL-W
BRACK-XDD-WALL-B

BRACK-XDD-PEND-W
BRACK-XDD-PEND-B



Camera Mounting
Back Box included





1. Normal

2. D-WDR ON

1. Normal IR

2. Smart IR

SPECIFICATIONS	XDD-III-VDV-IR-W / XDD-III-VDV-IR-B
Device Imaging	1/3" Sony Super HAD CCD II
TV System	NTSC, PAL
Total Pixels	NTSC=1020(H)x508(V) / PAL=1020(H)x596(V)
Effective Pixels	NTSC=976(H)x494(V) / PAL=976(H)x582(V)
Scanning System	2:1 Interlace
Synchronization	Internal
O.S.D.	Easy joystick menu
Backlight	OFF / HSBLC / BLC Selectable
Resolution	New 960H 700 TVL
S/N (Y signal)	52dB (AGC Off, Weight On)
Min. Illumination	IR LED ON:0.00006Lux (Sens-Up*256x)
White Balance	ATW / AWB / Manual / AWC / SET
Electronic Shutter Speed	AUTO (1/50sec, 1/60sec ~ 1/100,000sec)
SENSEPIER III	Off / Auto (Selectable *2 ~ *256)
Gain Control	High, Middle, Low, Off Selectable
3 DNR	3D-DNR(1 ~ 50 Level Adjustable)
D-WDR	Indoor / Outdoor / Off
Motion Detection	On / Off (4 Zone)
Privacy Masking Zone	On / Off (8 Zone)
Mirror	Off / Mirror / V-Rev / Rotate
Freeze	Off/On (1 ~ 50 Level Adjustable)
Sharpness	0~31'(Level Adjustable)
D & N Selection	Color / BW / Auto / EXT
Digital Zoom	On(*32) / Off
Blemish Compensation	Auto:128 Point
Power	Dual Power(AC 24V / DC 12V)
Power Consumption	IR LED ON:500mA Max
Lens	DC Auto Iris Varifocal Lens 2.8mm-12mm (fish eye / tele)
Storage Temp./Humid.	-35°C ~ +60°C / -31°F ~ +140°F RH 95% Max
Dimension	150mm(W) x 120mm(H) x 150mm(D) / 5.9"(W) x 4.72"(H)x5.9"(D)
Weight	1400g / 3.08lb

All logos & trade marks represent the registered users only. All rights reserved.
All product specifications on this brochure are subject to change without notice.

Ordering information:
-B(Dark grey) -W(White) -P(PAL)

CANADA:
351 Ferrier Street, Unit 5
Markham, ON L3R 5Z2
Toll Free: 1-866-843-6865
Tel: 416-410-6865
Fax: 1-866-331-3341

USA:
171 Cooper Ave. Suite 110
Tonawanda, NY 14150 USA
Toll Free: 1-855-404-3193
Local: 1-716-877-7277
Fax: 1-866-331-3341

info@watchnetinc.com
www.watchnetinc.com

INDIA:
RZ- 2, Ground Floor
Kapashera
Opp Kapashera Police Station
New Delhi-110037
Tel/Fax: +91 11 26816005

UAE:
PO Box No 126312
Office Suite 703
Oxford Towers
Business Bay, Dubai, UAE
Tel: + 971 4 2767117